

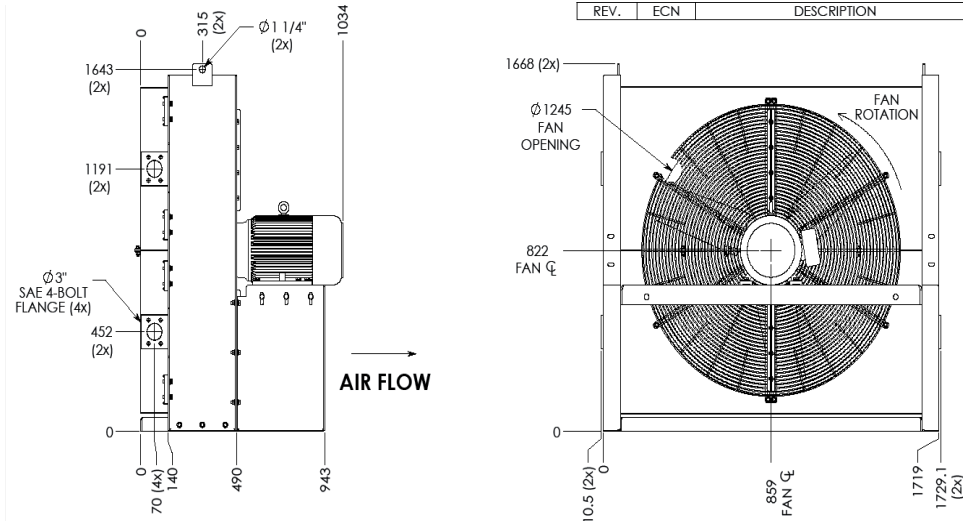
HIGH FLOW OILCOOLER



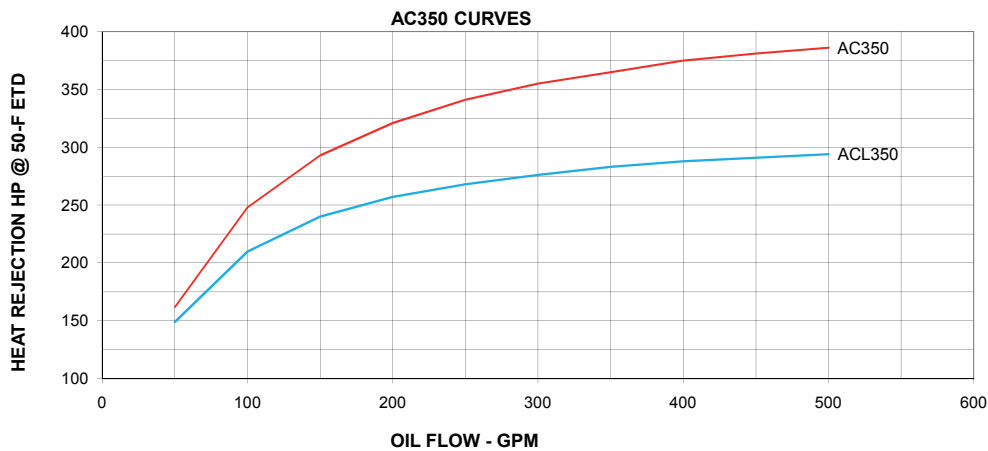
PRODUCT INFORMATION

- High Flows 50 - 500 GPM
- Two Separate Oilcoolers Mounted in Steel Frame
- Low Noise Model Available
- Competitive Pricing, Deliveries from Stock

COOLER DIMENSIONS



TECHNICAL DATA



SIZING/RATINGS BASED ON

- Max Pressure Rating - 250 PSI**
- Max Operating Temp - 250° F**
- Material - Aluminum**
- 50° F ETD (Entering Temp Difference)**
- 50 SUS Oil**

ORDERING INFORMATION

AC350 -	<input type="text"/>
ACL350 -	<input type="text"/>

MOTOR CODE

- 0 = No Motor**
- 3 = Three Phase**
- 3EXP = Three Phase, Explosion Proof**
- 575 = 575 Volt**